

ENCLOSURE HEATER WITH FAN

CS 032 | 03209.0-01



The compact enclosure heater with fan and PTC heating element helps to prevent frost and condensation forming in casings and installation spaces. The plastic sheathing makes the heating safe to touch during application. Quick electrical connection via IEC power plug.

- Compact, slim construction with high heating capacity
- Clip fixing for 35 mm DIN rail and screw fixing
- User safety: touch-safe plastic casing



OVERVIEW TECHNICAL DATA

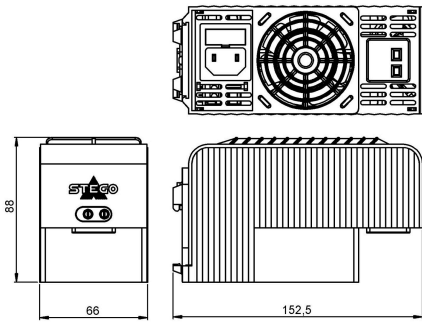
Device type	Fan heater; Touchsafe
Temperature monitoring	Overheating protection in the event of fan failure with automatic reset
Protection class	II
Protection type	IP20
Heating element	PTC resistor (PTC)
Casing	Plastic to UL94 V-0, black
AC/DC	AC
Operating voltage	220 V - 240 V
Inrush current	12 A
Frequency	50;60 Hz
Heating capacity	1000 W
Axial fan	63 m³/h
Service life	>50000 h
Surface temperature	< + 80 °C
Operating temperature	-40 °C - 60 °C
Operating humidity	≤90 % RH
Storage humidity	≤90 % RH
Storage temperature	-40 °C - 70 °C
Connection type	IEC power plug according to IEC320 C18
Connection	IEC power plug according to IEC320 C18
Mounting	Screw fixing
Installation position	Airflow direction "in" vertical / connection at the bottom
Height	88 mm
Width	66 mm
Depth	152,5 mm

Weight	500 g
Item number accessories 1	244379
Item number accessories 2	244380
Item number accessories 3	237009
Accessory 1	Supply line with IEC power plug to IEC320 C17, 1 m
Accessory 2	Supply line with IEC power plug to IEC320 C17, 2 m
Accessory 3	Safety bracket
Note	Other switch-off and switch-on temperatures on request;The scope of delivery does not include female connectors and supply lines for the electrical connection. Supply lines can be ordered separately, see accessories;Heating capacity at +25 °C (+77 °F) ambient temperature; switch-on temperature tolerance +5K.

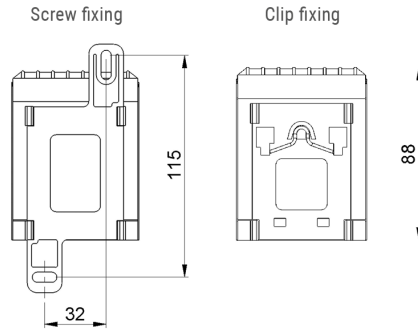
ACCESSORIES

Article number	Depth
237009	
244379	1000 mm
244380	2000 mm

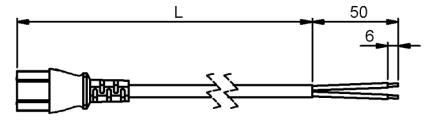
TECHNICAL DRAWINGS



View: back side



Connection cable with female power insert connector according IEC320 C17



Heating capacity / Ambient temperature diagram
CS 032 / CSF 032

