

ENCLOSURE HEATER WITH FAN

CSF 032 | 03202.9-00



This is a compact PTC enclosure heater with fan and tamper-proof thermostat to prevent frost and condensation forming in casings and installation spaces. A plastic sheath makes the heating safe to touch during application.

- Designs available with integrated tamper-proof thermostat (switch-on/off temperature: + 25 °C / + 15 °C or + 15 °C / + 5 °C)
- Compact, slim construction with high heating capacity
- Clip fixing for 35 mm DIN rail and screw fixing
- User safety: touch-safe plastic casing



OVERVIEW TECHNICAL DATA

Device type	Fan heater; Integrated control; Touchsafe
Temperature monitoring	Overheating protection in the event of fan failure with automatic reset
Protection class	II
Protection type	IP20
Heating element	PTC resistor (PTC)
Casing	Plastic to UL94 V-0, black
AC/DC	AC
Operating voltage	100 V - 120 V
Inrush current	18 A
Frequency	50;60 Hz
Heating capacity	1000 W
Axial fan	37.1 cfm
Service life	>50000 h
Switch-off temperature	59 °F
Switch-on temperature	41 °F
Surface temperature	< + 176 °F
Operating temperature	-40 °F - 140 °F
Operating humidity	≤90 % rF
Storage humidity	≤90 % rF
Storage temperature	-40 °F - 158 °F
Connection type	IEC power plug according to IEC320 C18
Connection	IEC power plug according to IEC320 C18
Mounting	Clip for 35 mm DIN rail
Installation position	Airflow direction "in" vertical / connection at the bottom
Height	3.5 in

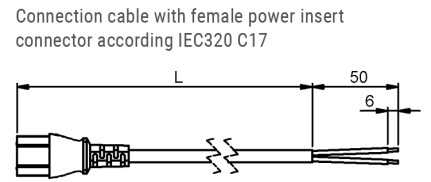
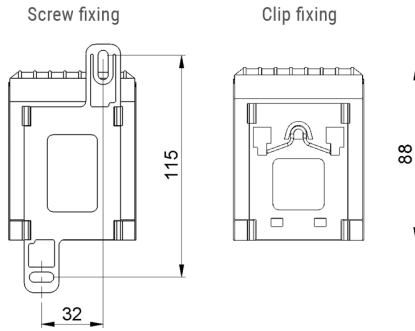
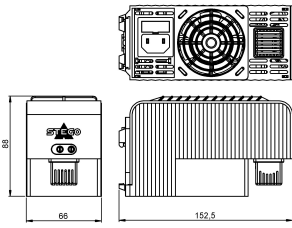
Width	2.6 in
Depth	6 in
Weight	17.6 oz
Item number accessories 1	244379
Item number accessories 2	244380
Item number accessories 3	237009
Accessory 1	Supply line with IEC power plug to IEC320 C17, 1 m
Accessory 2	Supply line with IEC power plug to IEC320 C17, 2 m
Accessory 3	Safety bracket
Note	Tolerance ± 5 K; Other switch-off and switch-on temperatures on request; Female connectors and supply lines for the electrical connection are not included in the scope of delivery. Supply lines can be ordered separately, see accessories; Heating capacity at +25 °C (+77 °F) ambient temperature; switch-on temperature tolerance +5K.

ACCESSORIES

Article number	Depth
237009	
244379	39.4 in
244380	78.7 in

TECHNICAL DRAWINGS

View: back side



Heating capacity / Ambient temperature diagram
CS 032 / CSF 032

