

ENCLOSURE HEATER WITH FAN

DCR 130 | 13092.1-13



This resistance heater with fan is designed for connection to a DC voltage supply. Optionally with adjustable integrated thermostat or hygrostat. Accessories: external sensor. Installation type: either clip or screw fixing.

- Push-in terminals for quick electrical connection
- User safety: touch-safe due to touch-safe plastic sheathing
- Accessories: external sensor
- Integrated switch module: Thermostat or hygrostat



OVERVIEW TECHNICAL DATA

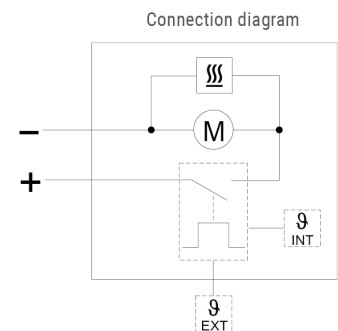
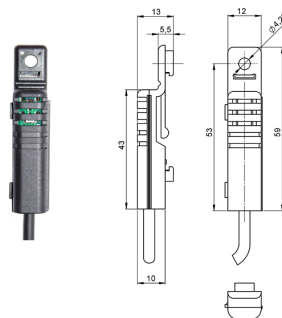
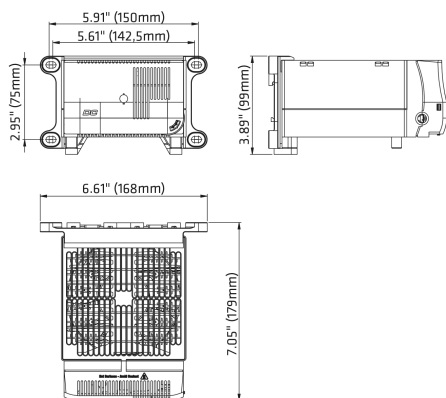
Device type	Fan heater; DC applications; Integrated control; Touchsafe
Temperature monitoring	Overheating protection in the event of fan failure with automatic reset, additional protection by irreversible fuse
Protection class	II
Protection type	IP20
Heating element	High-performance heating cartridge
Heater element	Aluminum profile
Casing	Plastic to UL94 V-0, black
AC/DC	DC
Operating voltage	24 V
Heating capacity	200 W
Axial fan	94.2 cfm
Service life	>50000 h
Setting range	-4 °F - 104 °F
Switching differential	3 K
Switching differential tolerance	
Operating temperature	-49 °F - 158 °F
Operating humidity	≤90 % rF
Storage humidity	≤90 % rF
Storage temperature	-49 °F - 158 °F
Connection type	Connection terminal
Connection	2-pole "Push-In" connection terminal Stranded wire 1.5 mm ² (AWG 16) with strain relief; max. 2.5 mm ² (AWG 12)
Design	Fan heater with integrated thermostat with connection for external temperature sensor

Mounting	Clip for 35 mm DIN rail; screw fixing
Installation position	Airflow direction "in" vertical / connection at the bottom
Height	3.9 in
Width	6.6 in
Depth	7 in
Weight	45.9 oz
Item number accessories 1	267071
Item number accessories 2	267072
Item number accessories 3	267126
Accessory 1	external sensor, 1m
Accessory 2	external sensor, 2m
Accessory 3	external sensor, 3m
Note	Fan heater with thermostat; other designs (heating capacities, setting ranges) and operating voltage DC 48 V on request; tolerance ± 1 K

EXTERNAL SENSOR

Article number	Depth
267071	39.4 in
267072	78.7 in
267126	118.1 in

TECHNICAL DRAWINGS



The external sensor can be ordered separately.