

SENSORS FOR SENSOR HUB

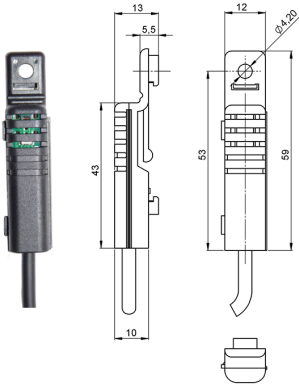
SEN 073 | 07300.1-01



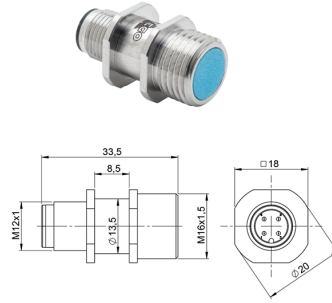
OVERVIEW TECHNICAL DATA

Measurement signal	Temperature, relative humidity
Protection type	IP20
Casing	Plastic to UL94 V-0, black
Measurement range	-40 °F - 176 °F
Measurement range tolerance	± 0,2 K
Measurement range 2	100 % rF
Measurement range tolerance 2	± 2 %
Reaction time	1: t63 <90 s / 2: t63 <7 s
Operating temperature	-40 °F - 185 °F
Operating humidity	≤100 % rF
Storage humidity	≤90 % rF
Storage temperature	-40 °F - 185 °F
Connection	Cable with male connector, shielded, 2.0 m
Design	SHC 071 sensor
Mounting	Clip for 35 mm DIN rail, EN 60715 and M4 screw fixing
Setup height	≤4000 m
Height	0.5 in
Width	0.5 in
Depth	2.3 in
Weight	2.5 oz

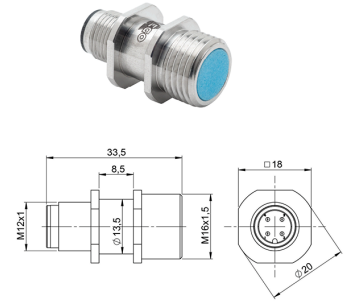
TECHNICAL DRAWINGS



07300.1-00 | 07300.1-01



07300.0-00 | 07301.0-00 | 07303.0-00



07300.0-00 | 07301.0-00 | 07303.0-00